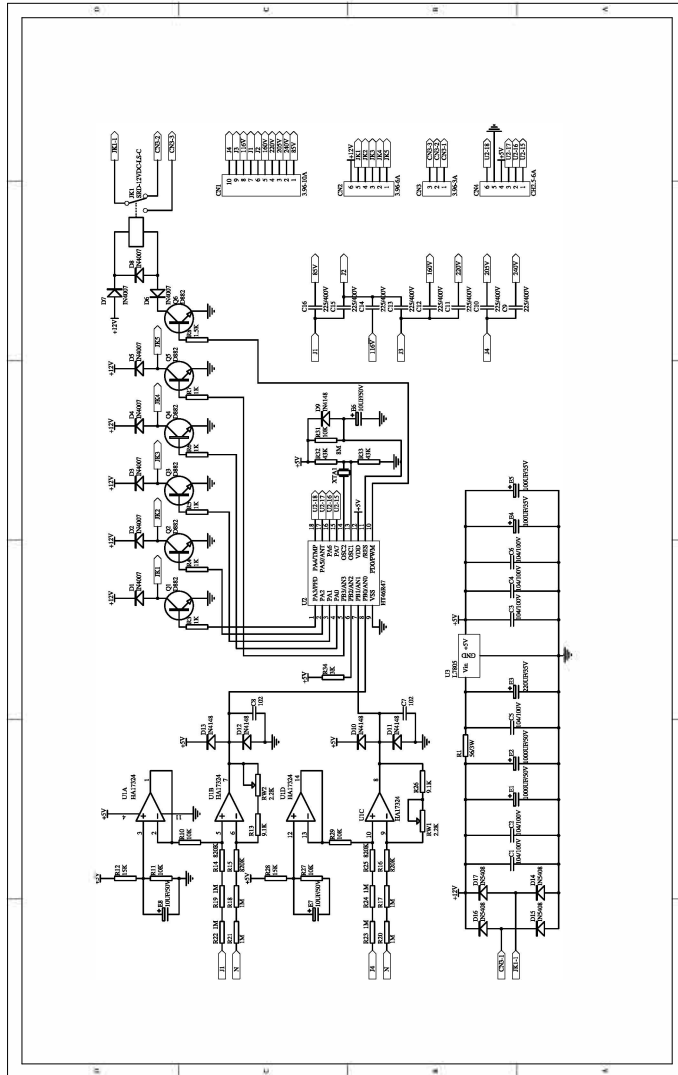




Instruction Manual

RELAY TYPE
AC.FULL AUTOMATIC POWER VOLTAGE REGULATOR



AC.FULL AUTOMATIC POWER VOLTAGE REGULATOR

General

The manufacturer is specialized in producing single-phase multifunctional full-automatic change over type AC voltage stabilizer. The product adopts advanced electronic automatic control circuit that is of double-sampling double-voltage-stabilizing and taking time base integration as time delay. The product has advantages of sensitive action, accurate timing, stable performance, safe, energy saving, elegant appearance, wide range of input voltage and so on. It really is the ideal protector for top grade electrical appliances such as fridge and TV set.

Implementing standards: Trade standard SB/T10266-96.

Main technical indicators

Input voltage	120~260V
Output voltage	220V ± 10%
Frequency	50 ~ 60Hz
Insulation resistance	> 2MΩ
Dielectric strength	1500V 1min

Direction for use

- 1、 Before operating, check and make sure that the mains voltage remains in the rated input range of the machine, and then put through the machine into the power grid.
- 2、 Turn on the mains switch of voltage stabilizer, operating indicator lamp goes on, time lag indicator lamp goes on too, output voltage after time delay. (Push down the time delay quick-start button if the time delay is unnecessary).
- 3、 Turn on the power switch of matched consumer equipment.
- 4、 When the power grid comes across failure, please turn off the stabilized power supply as well as power switch of consumer equipment in time.
- 5、 Selection of input/output wire and cable for the voltage stabilizer, copper wire 5A/mm², aluminum wire halving.

AC.FULL AUTOMATIC POWER VOLTAGE REGULATOR

Note: Power of electrical appliances means the average consumption power, some electrical appliances have heavy instantaneous current, consequently, select suitable multifunctional full-automatic voltage stabilizer is the key point of prolonging service life of household electrical appliances and voltage stabilizer, please pay attention to the instantaneous current of household electrical equipment and leave allowance when selecting.

Attentions

- 1、 In order to guarantee safety, grounding of enclosure must be reliable.
- 2、 Select the power for voltage stabilizer according to rated power of consumer equipment, starting-up surge current, inductive or capacitive condition, please leave enough allowance for impact loads. Configuration of voltage stabilizer and load as follows:

Resistance: Output power of voltage stabilizer should be 1 times of load power

Capacitive and inductive: Output power of voltage stabilizer should be 3-5 times of load power

- 3、 Please place the machine in draughty area, where has favorable heat dissipation conditions. Otherwise, the power supply may be damaged due to overheating.
- 4、 If the indicator lamps and gauge outfit refuse to work, please check the protector tube in the fuse holder, please change for a new one of the same specification if it has been blown out, if the failure is caused by other faults, please send the product to maintenance department for repairing.



- 1、 Laymen are forbidden to do hot-line work like installing or maintaining.
- 2、 The company will not be responsible for the safety or quality problems caused by safety members that are not supplied by our company.

Enclosure

Instruction Book 1

Schematic diagram

See back cover